

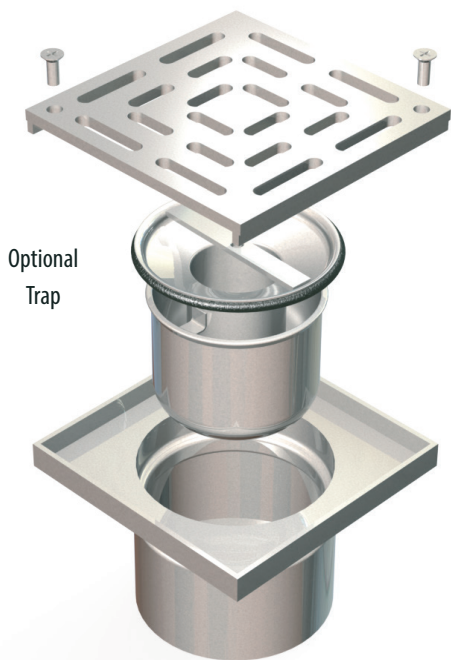


KENT KVT152 - Commercial Gully (High Footfall)

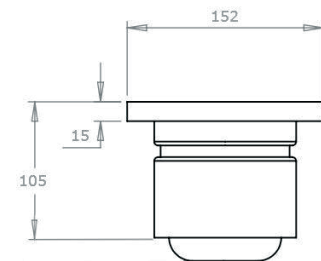
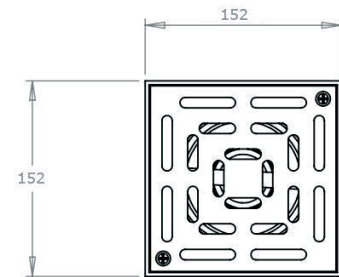
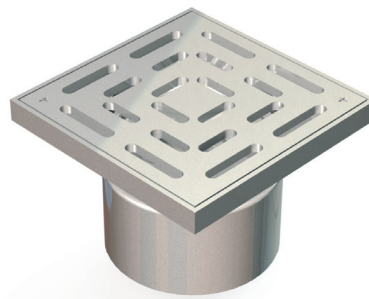
The KVT152 Gully is a square top stainless steel gully for tiled and poured floor areas. It has a heavier duty top than our KVT162 and can take heavier traffic, but this top is primarily 'chunky' for aesthetic reasons. It is supplied as standard with a slotted grating.

Features

- Grade 304 (1.4301) or 316 (1.4401) Stainless Steel to BS EN 10088
- 110mm diameter outlet
- Satin finish as standard
- Customised perforated patterns available
- Lock down as standard



Optional Trap



Pedestrian



Barefoot



Forklift

BS EN1253 Loading Class K3 (L15 or R50 or M125 variations available)

Product Code	Height	Width	Depth	Outlet	Flow Rate	Description
KVT152/110TP	105	152	152	110	1.4 l/s	Top Part Only Bottom Outlet 110mm
KVT152/110	200-250	152	152	110	1.4 l/s	Adjustable Height 2 Part Bottom Outlet - See Page 4
KHT152/50	140-185	152	152	50	0.9 l/s	Adjustable Height 2 Part Side Outlet 50mm - See Page 4
KHT152/1.5"BSP	140-185	152	152	1.5"BSP	0.9 l/s	Adjustable Height 2 Part Side Outlet 1.5"BSP - See Page 4
KFT110						110mm Trap with 50mm water seal

Specify Kent KVT152/110TP Floor Gully. 152 x 152mm, fixed height floor drain. Grade 304 stainless steel with a satin polish finish, supplied with KFT110 Trap.