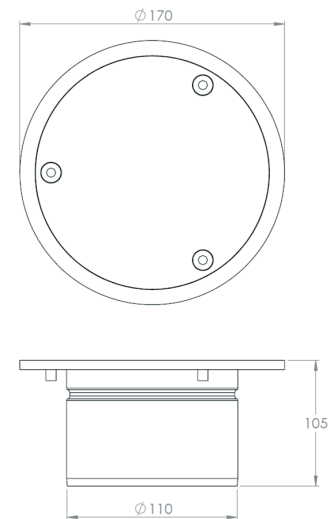
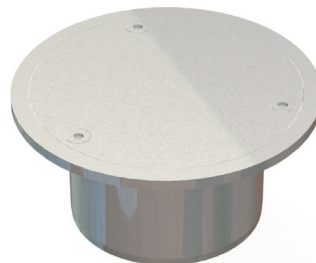


## KENT KRE170TP (RD) - Commercial Rodding Eye (High Footfall)

The KRE170TP (RD) Rodding Eye is a Round top stainless steel rodding eye, or cleanout for poured floor areas. It matches our KVT170 range of gullies but has a blank top. This rodding eye is single sealed by a neoprene gasket. The Top Part can be complemented with a KVBO gully body which will allow adjustable height. It has a heavier duty top than our KR161 Rodding Eye and also has a larger more positive seal.

### Features

- Grade 304 (1.4301) or 316 (1.4401) Stainless Steel to BS EN 10088
- 110mm diameter outlet
- Satin finish as standard
- Ex stock
- Lock down as standard



Barefoot



Forklift



Pedestrian

BS EN1253 Loading Class K3 (L15 or R50 or M125 variations available)

| Product Code     | Height  | Width | Depth | Outlet | Sealed | Description                          |
|------------------|---------|-------|-------|--------|--------|--------------------------------------|
| KRE170/110TP(SQ) | 105     | 170   | 170   | 110    | x 1    | Top Part Only                        |
| KRE170/110(SQ)   | 200-250 | 170   | 170   | 110    | x 1    | Adjustable Height 2 Part- See Page 4 |

Specify Kent KRE170/110TP (RD) Rodding Eye. 170mm diameter, single sealed, Grade 304 stainless steel with a satin polish finish.