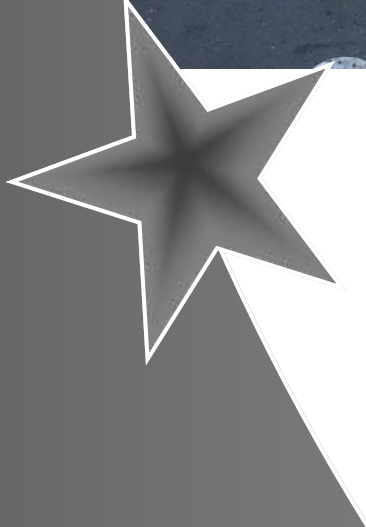


# Kent Criss-Cross Demarcation Stud





The Kent Criss-Cross Demarcation Stud KCCDS25 is an anti-slip variation of the Kent Demarcation Stud.

It is used to de-lineate walkways and site boundaries. The disc lies 5mm above the surface once installed. It is manufactured using Grade 316L Stainless Steel, this material is perfect for high-traffic pedestrian areas. It has an overall diameter of 25mm

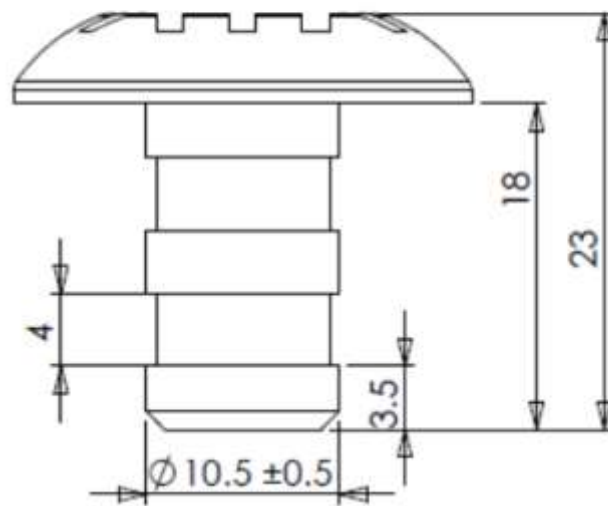
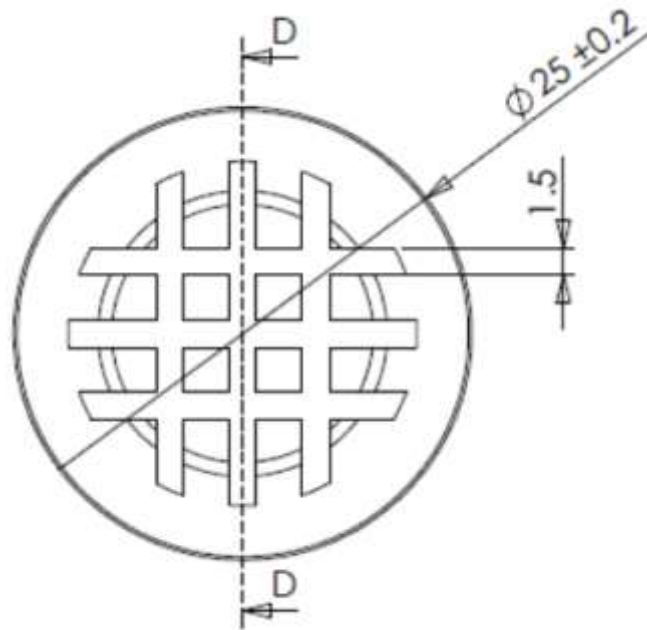
**Features:**

- *Anti Slip Criss-Cross Pattern*
- *Grade 316 Stainless Steel*
- *Electro Polished Finish*
- *25mm dia*



*Kent Criss-Cross Demarcation Stud*

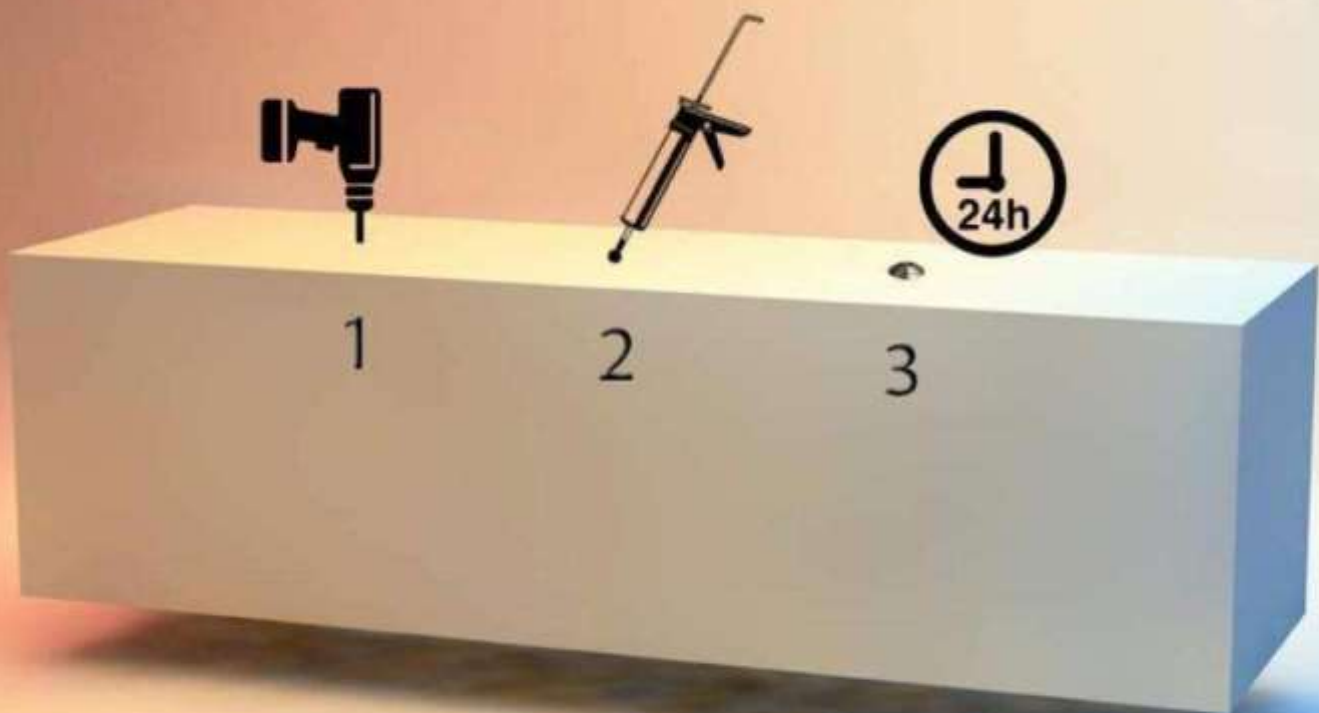
KENT CRISS-CROSS DEMARCATION STUD - KCCDS 25



Product Code	Visible Height	Witdh	Depth
KCCDS - 25	5mm	25mm	23mm

### Installation of Studs

1. Drill a 12mm diameter hole by 20mm deep
2. Fill with chemical mortar
3. Insert stud in correct orientation and leave to set for 24 hours



**Testimonials**



*“ The In-house engineering completed by Kent Stainless and the Knowledge and advice given to finalise the design was outstanding ”*

- Parsons



*“ The client and the main contractor both were delighted with the quality of the work supplied by Kent Stainless ”*

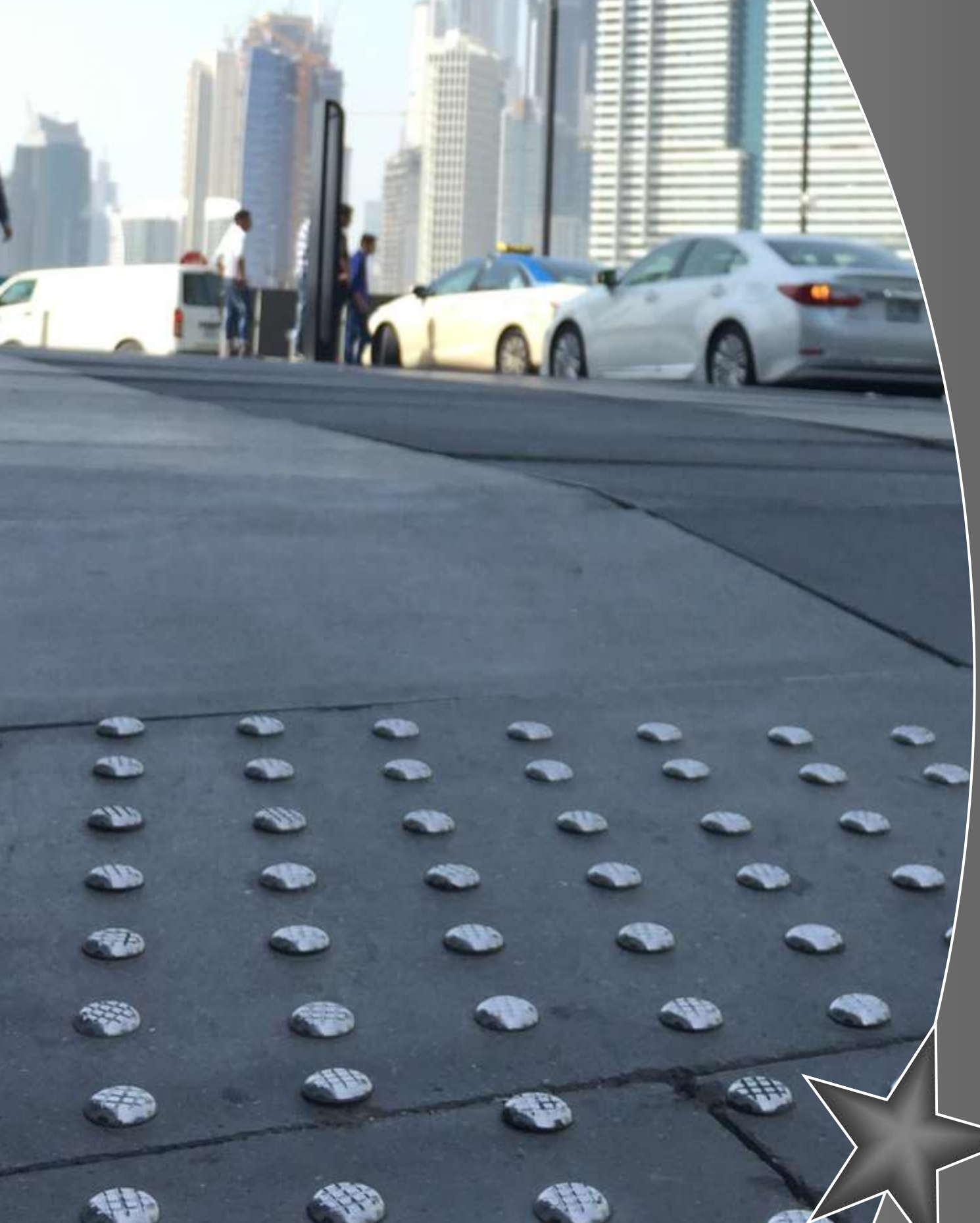
- Skanska



*“ Because of the engineering know-how you provided and flexibility in design, we will certainly return to Kents for further work ”*

- Wexford County Council





**Kent Stainless Ltd**

Ardcavan, Wexford, Ireland

**TEL NO:** +353 53 9143216  
**UK FREEPHONE:** 0800 376 8377  
**FAX:** +353 53 9141802  
**WEB:** [www.kentstainless.com](http://www.kentstainless.com)  
**EMAIL:** [info@kentstainless.com](mailto:info@kentstainless.com)

