

Kent Traffic Light Pole

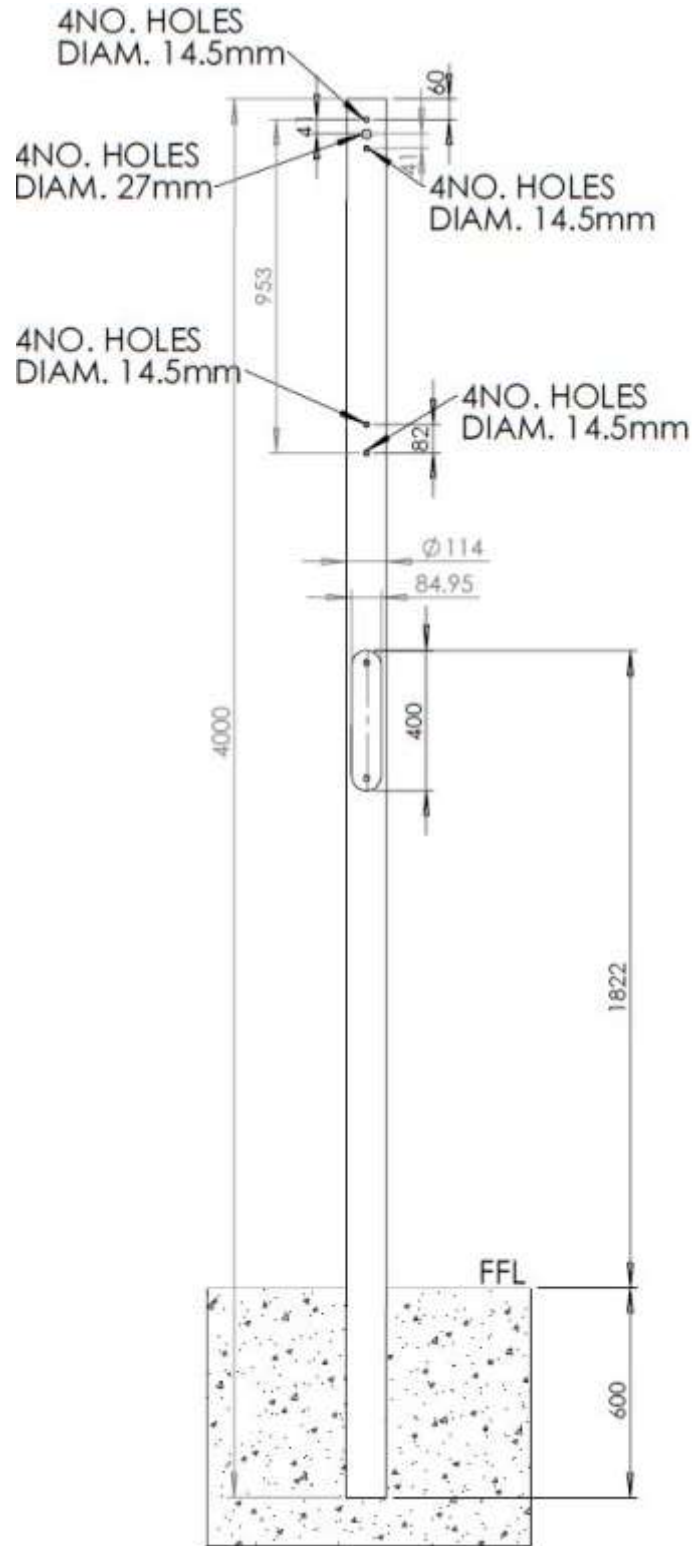


Kent Traffic Light Pole KTLP 4000; 4000mm Overall Height; 3mm Wall Thickness; 114mm Diameter; Grade 316L Stainless Steel; Polished Finish; Cast in. The Kent Traffic Light Poles offer a sturdy solution to the installation and mounting of Traffic Lights. The freestanding poles come in 4000mm lengths with a range of options available. An integrated lockable door is provided as standard as well as a cable entry point. Various fixing points allow the traffic light components to be bolted on in several locations. All poles supplied are load tested to ensure they deal with all types of weather conditions.

Features:

- 3mm thick steel
- Polished
- Cast in 600mm below GL
- Grade 316L stainless steel as standard
- 400mm x 85mm Access door with M8 triangular security bolts





Product Code	Height	Diameter
Kent Traffic Light Pole KTLP-2000	2000mm	114mm
Kent Traffic Light Pole KTLP-4000	4000mm	114mm

Specify:

Choose your steel:
Grade 304L Stainless steel
Grade 316L Stainless steel

Choose your size:
Height: 2000mm or bespoke

Specify:
Kent Traffic Light Pole (KTLP 4000); Grade 316L Stainless Steel; H: 4000mm, Dia:114mm;
3mm Thick Steel; Polished; Cast in 600mm below Ground level.

Choose your Finish:
Polished,
320 Grit satin finish
Bead Blasted



Maintenance of Stainless Steel

Clean the stainless steel components using warm water with a mild detergent with a non-abrasive cloth or sponge. Heavier stains may require the use of a nylon-scouring pad or a stainless steel cleaner.

To remove paint or graffiti use a cloth and Alkaline or solvent paint strippers according to type of paint. In the case of a bead blasted finish, where abrasive cleaning is required, always use a random circular rubbing action with a cloth.

In the case of brushed finishes the surface consists of uniform fine 'scratches' running in one direction so where abrasive cleaning is required always use a straight back and forward rubbing action in the direction of the grain using soap and warm water.

Rust spots or 'tea stains' can occur on the surface of the material, these are normally caused by contamination from ordinary mild steel, particularly in areas where construction work has been undertaken. Such stains can be removed using Rust Remover 410.

In cases where the surface is severely stained because of severe environmental conditions or scratched due to misuse, it may still be possible to restore the original finish using chemicals such as Oxalic Acid solution. There are many stainless steel polishes available to enhance the surface finish.





Kent Stainless Ltd
Ardcavan, Wexford, Ireland

TEL NO: +353 53 9143216
UK FREEPHONE: 0800 376 8377
FAX: +353 53 9141802
WEB: www.kentstainless.com
EMAIL: info@kentstainless.com

