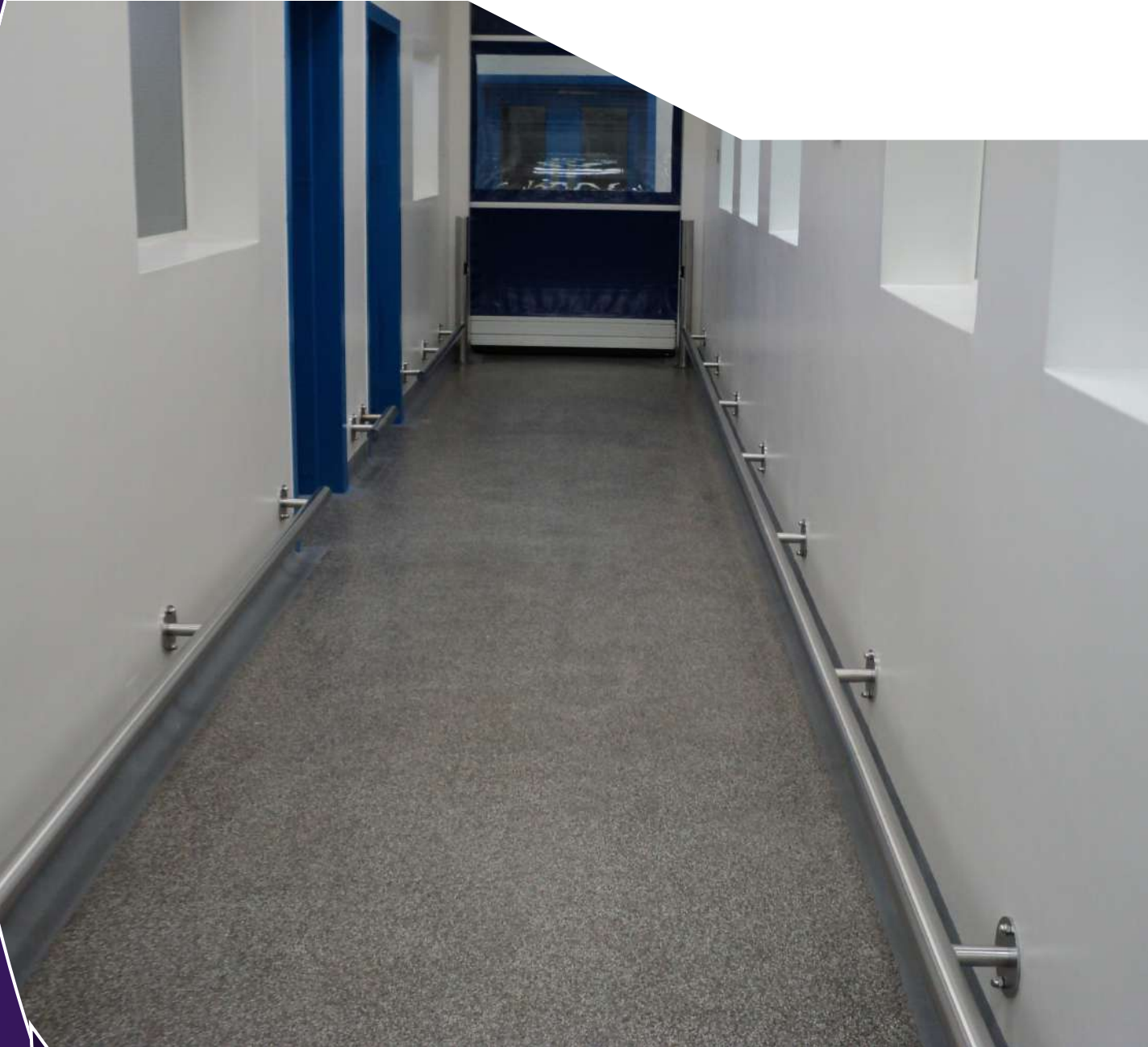


Kent Cleanroom Wall Mounted Bump Rail



KENT CLEANROOM WALL MOUNTED BUMP RAIL

Kent Stainless Bump Rails are perfect alternative to, or complement for, our Wall Guards and Corner Guards

The wall mounted version, KCWBR-50 helps with surfaces that are not suitable for floor mounting - where ease of access for cleaners is critical for example.

This Cleanroom style Tubular Bump Rail is typically supplied mounted on round bar posts with a circular base plate and visible dome head fixings as standard or an option for countersunk fixings.

Features:

- 2mm thick steel
- 320 grit satin finish
- Dome head or Countersunk Fixings
- Grade 304L stainless steel as standard



Flush Weld End Cap
Straight or turned in



Hidden Sleeve Joint



1, 2 & 3 Metre
Lengths

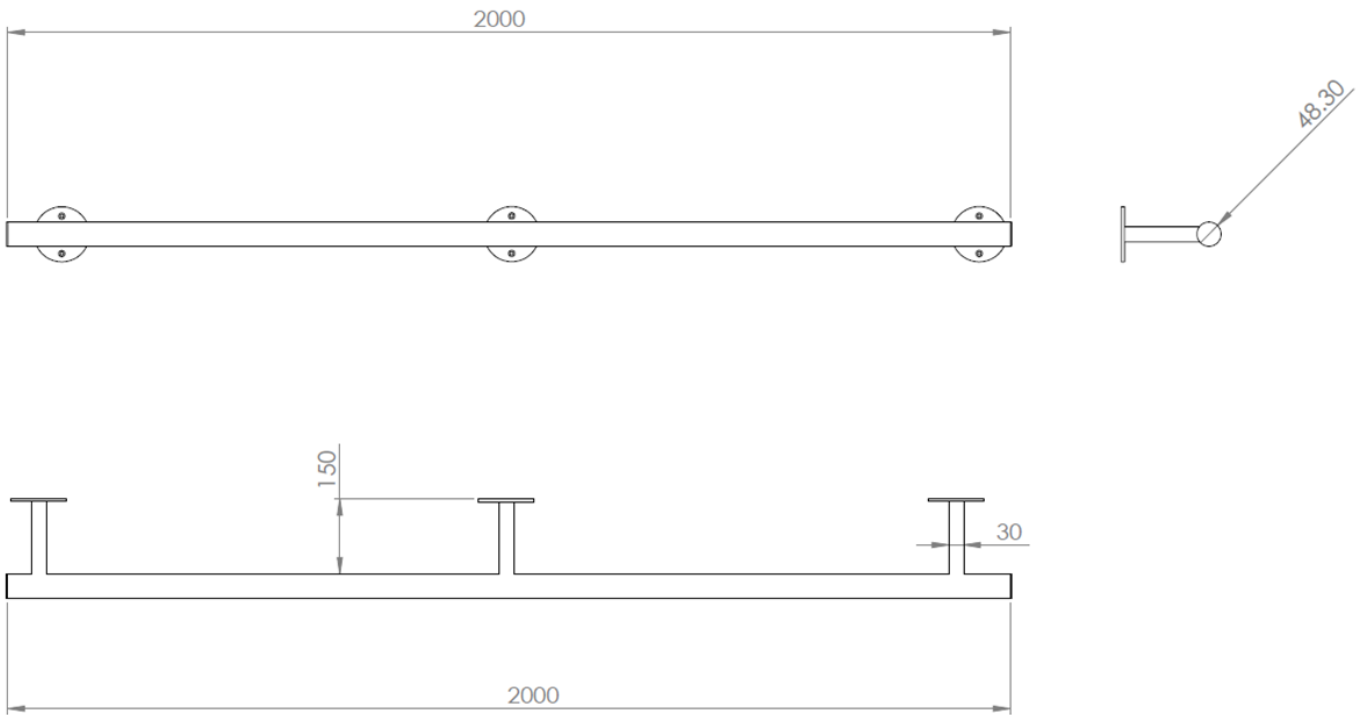


Internal & External
Corners



Optional finish:
Internal Bollard

KENT CLEANROOM WALL MOUNTED BUMP RAIL

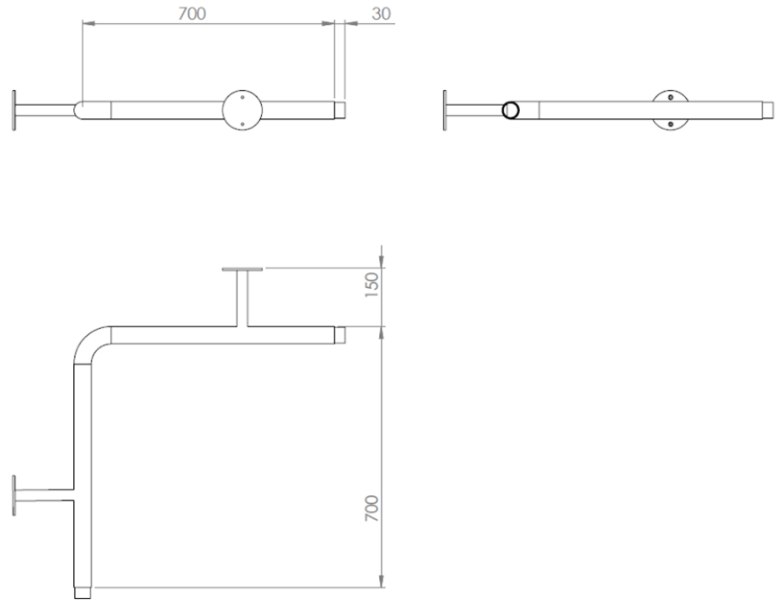


Product Code	Length	Height	Diameter
Kent Airport Bump Rail KCWBR-50	1000mm	150mm	50mm
Kent Airport Bump Rail KCWBR-50	2000mm	150mm	50mm
Kent Airport Bump Rail KCWBR-50	3000mm	150mm	50mm



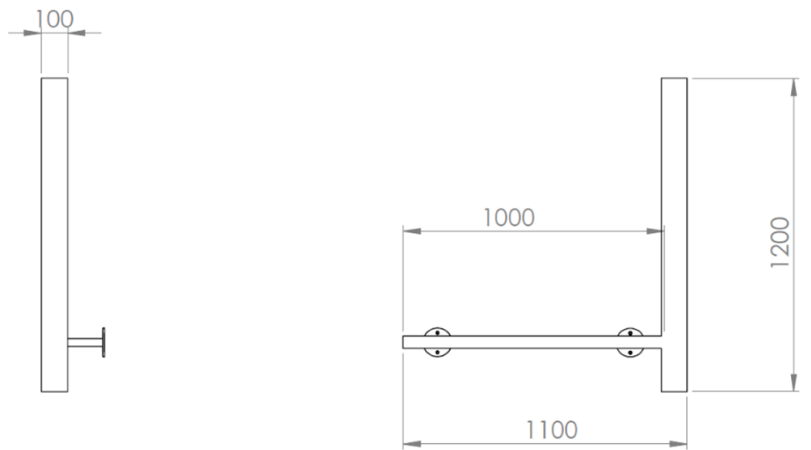
KENT CLEANROOM WALL MOUNTED BUMP RAIL

Corner Section



Append (CS) Kent Cleanroom Wall Mounted Bump Rail KCWBR 50 (CS) 90deg.
State Angle From 45deg. to 175deg.

Integrated Bollard End



Append (IBE) Kent Cleanroom Wall Mounted Bump Rail KCWBR 50 (IBE) 1200mmx100mm
State Height & Diameter desired



Specify

Choose your steel:
Grade 304L Stainless steel
Grade 316L Stainless steel

Customise your size, or go with our standard 1000mm x 2150mm x 50 mm (See size chart page 2 for dimensions)

Specify:
Kent Cleanroom Wall Mounted Bump Rail (KCWBR 50); Grade 304L Stainless Steel; L:1000mm, H: 150mm, W:50mm; 2mm Thick Steel; Satin Finish 320 Grit Polish; Visible Dome Fixings.

Choose your thickness:
2mm
3mm

Choose your base:
Visible Dome Fixings
Countersunk Fixings



Maintenance of Stainless Steel

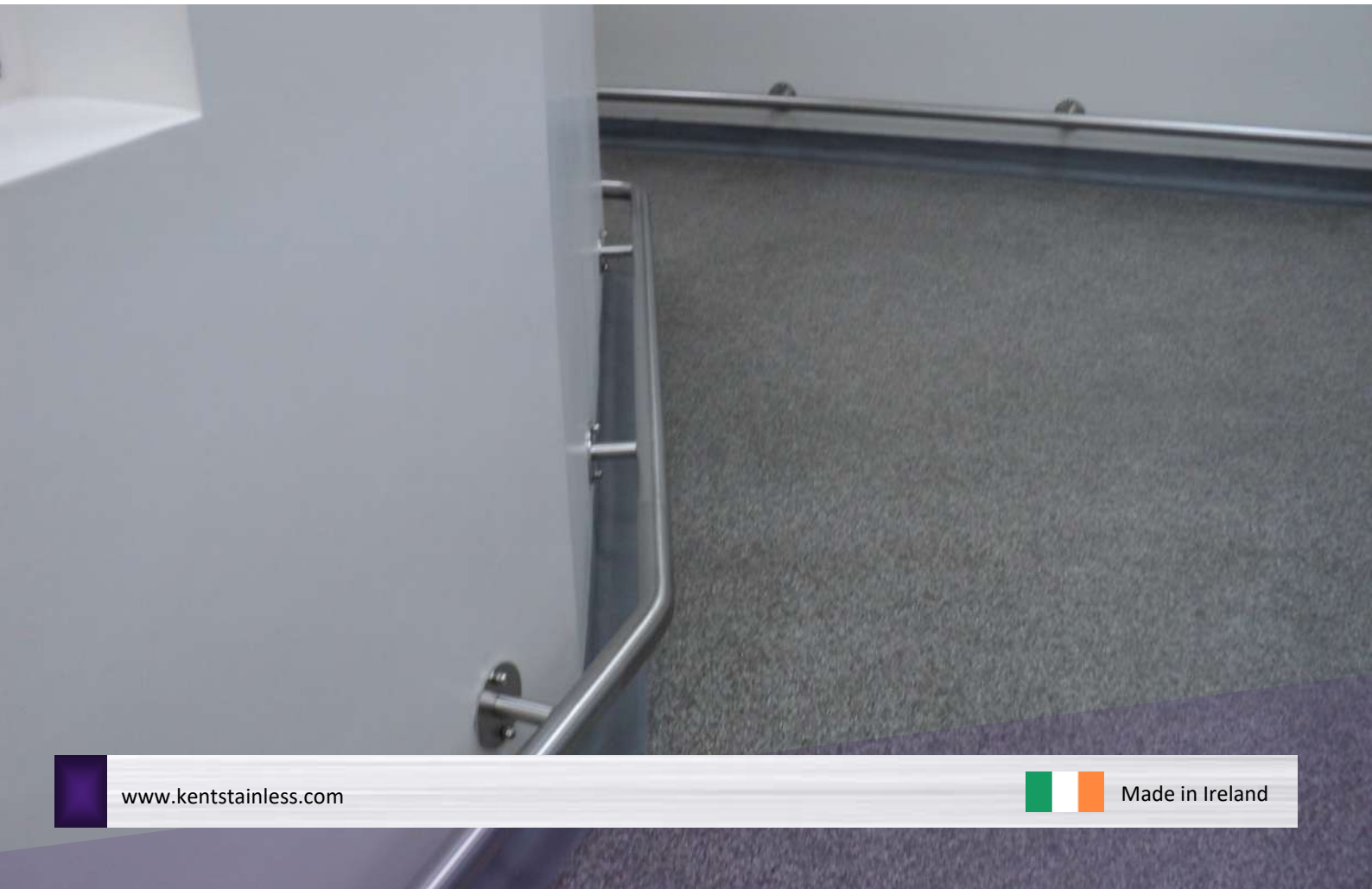
Clean the stainless steel components using warm water with a mild detergent with a non-abrasive cloth or sponge. Heavier stains may require the use of a nylon-scouring pad or a stainless steel cleaner.

To remove paint or graffiti use a cloth and Alkaline or solvent paint strippers according to type of paint. In the case of a bead blasted finish, where abrasive cleaning is required, always use a random circular rubbing action with a cloth.

In the case of brushed finishes the surface consists of uniform fine 'scratches' running in one direction so where abrasive cleaning is required always use a straight back and forward rubbing action in the direction of the grain using soap and warm water.

Rust spots or 'tea stains' can occur on the surface of the material, these are normally caused by contamination from ordinary mild steel, particularly in areas where construction work has been undertaken. Such stains can be removed using Rust Remover 410.

In cases where the surface is severely stained because of severe environmental conditions or scratched due to misuse, it may still be possible to restore the original finish using chemicals such as Oxalic Acid solution. There are many stainless steel polishes available to enhance the surface finish.





Kent Stainless Ltd

Ardcavan, Wexford, Ireland

TEL NO: +353 53 9143216
UK FREEPHONE: 0800 376 8377
FAX: +353 53 9141802
WEB: www.kentstainless.com
EMAIL: info@kentstainless.com

