

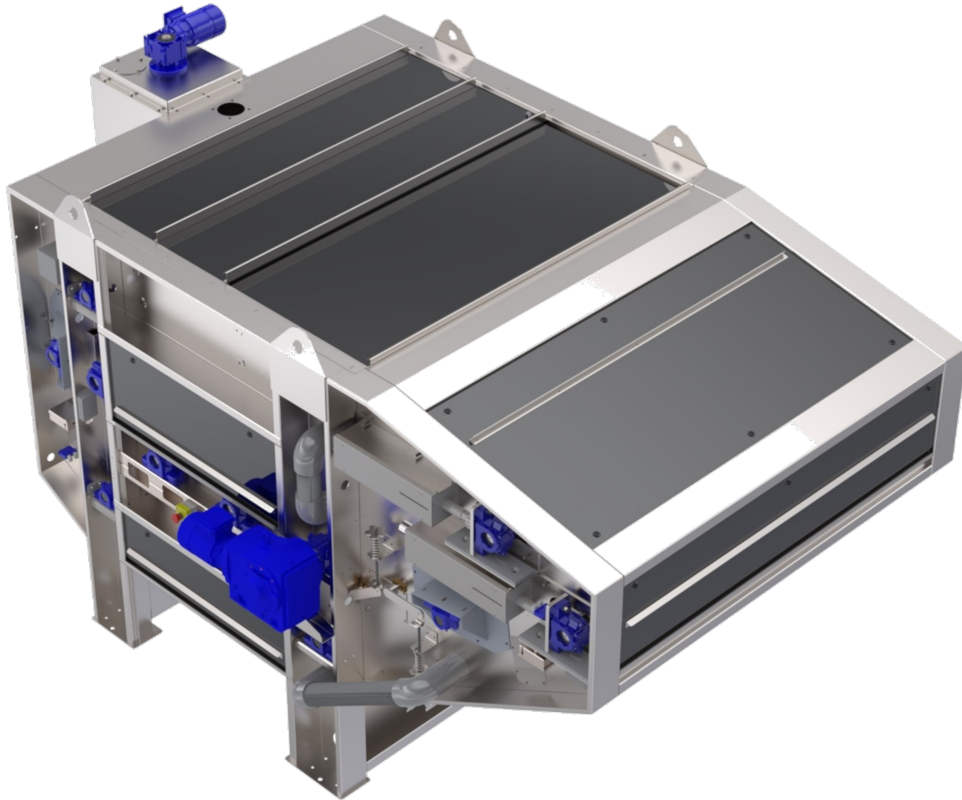
FILTER BELT PRESSES

TECHNICAL SPEC:

200 SERIES

The Unison range of Filter Belt Press is suitable for dewatering municipal wastewater sludge and all different types of industrial sludge. It has been used in various settings including alcohol and grape industry, pulp and paper industry, food and dairy industry, potato and sugar industry and also the oil and pharmaceutical industries.

Unison is a brand of Solids Technology Ltd. and is a full subsidiary of Kent Stainless (Wexford) Ltd.



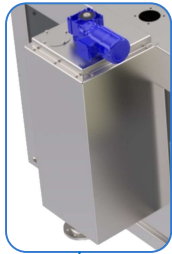
Rollers from grade 304 stainless steel

Shafts 416 stainless steel

100,000 hour bearing life

Polyester monofilament belt with easy cake removal

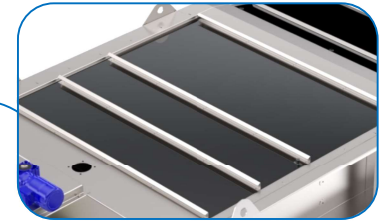




Made fully from grade 304L and Duplex LDX2101 stainless steel in a dedicated stainless steel factory ensuring extra long life

Machines are **totally enclosed** and suitable for connection to an odour extraction system.

Easy access via top sliding doors for process monitoring and maintenance

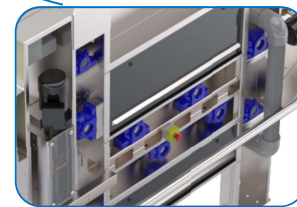


Optional **Hydraulic Tension System** to allow for constant tension on the filter belts irrespective of sludge loading

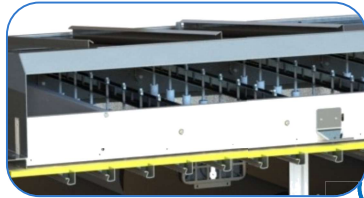
Belt Wash System
Options to use either potable or final effluent water



Belt Alignment is controlled by means of slewing guide rollers and electrical linear actuators

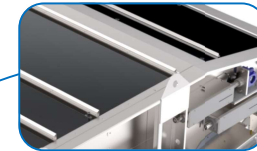


All moving parts are located outside the wetted area allowing for easier maintenance.



Gravity Dewatering Zone

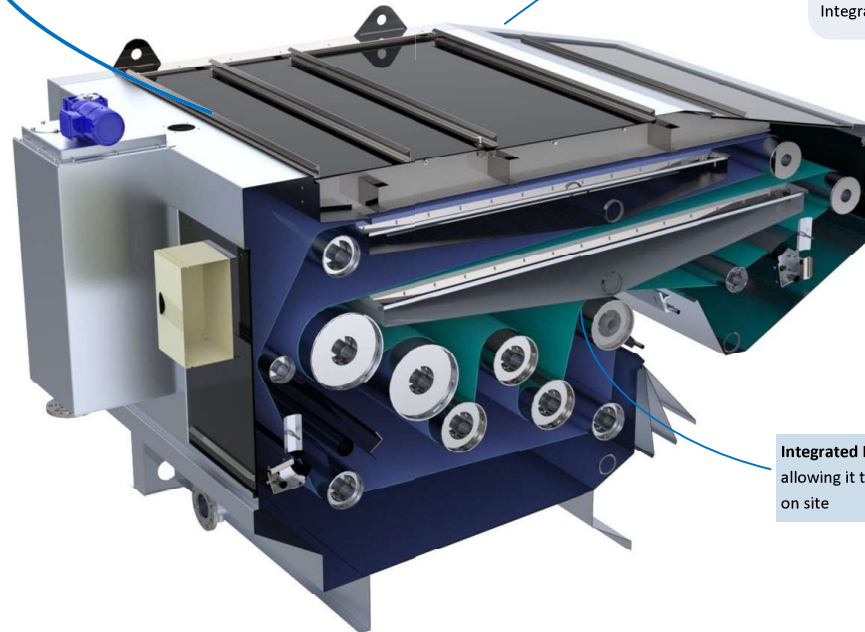
- **Sludge distributor** ensures the conditioned sludge is uniformly distributed over the full belt width.
- **Sludge ploughs** furrow the sludge.
- UHMWPE sections under belt **prevent sagging**
- **Ploughs rotate** when debris are encountered



Sliding Top Panels allow access for inspection and maintenance when required.

Odour Extraction connections on top canopy to integrate with an odour control system

Integrated Floc Tank as standard to allow for adequate mixing of polymer



Integrated Filtrate Sump collects all filtrate produced allowing it to be piped directly to appropriate location on site

Typically supplied with **Continuous Spiral Type Belt** which can be repaired should the case arise

All moving parts are located outside the wetted area allowing for easier maintenance. Filter belt presses are built from durable grade 304 stainless steel ensuring long life in excess of 20 years.

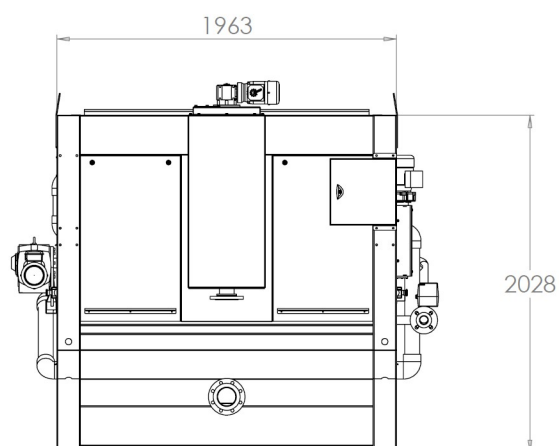
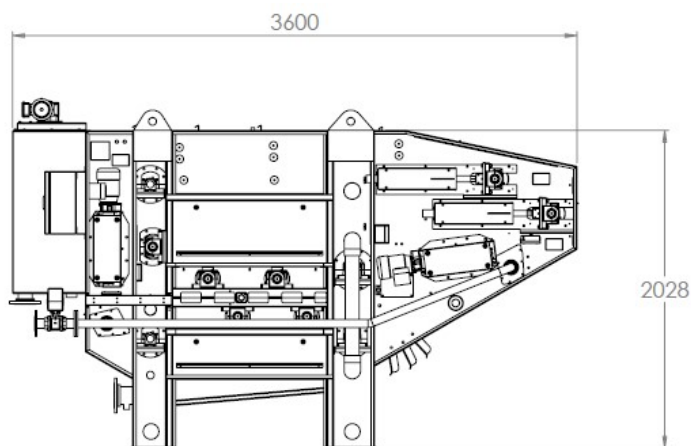
The Unison Belt Filter Press is **fully enclosed**. This ensures all odours are captured by an odour extraction system.



FILTER BELT PRESSES

TECHNICAL SPEC:

200 SERIES



Model	P210 (shown)	P215 (shown)
Belt width (mm)	1000	1500
Sludge capacity m ³ /h	1-10	5-15
Sludge capacity kg D.S./hr.	20-300	30-450
Total Filtration Area m ²	7,2	10,9
Length	3600	3600
Width	1963	2463
Height	2028	2028

Belt widths vary from 1m to 1.5m and the machine widths change correspondingly.

Filtrate Sump & Instrumentation on Belt Press Included

Optional:

Wash Water Booster Pump

Wash Water Actuated Valve

Polymer Injection Mixing Valve

Sludge Cake Discharge System

Solids Technology is a full subsidiary of
Kent Stainless (Wexford) Ltd.
Ardcavan, Wexford

Phone: +353 (0)53 914 3216
UK Freephone: 0800 376 8377
Fax: +353 (0)53 914 1802
www.kentstainless.com

