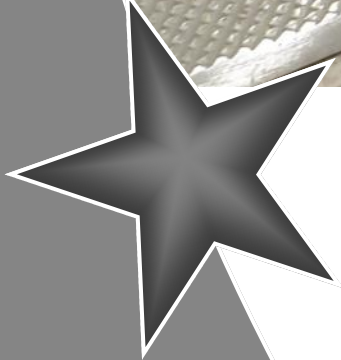


# Kent Diamond Tactile Warning Strip





## Kent Diamond Tactile Warning Strip - KDTWS-35/420

### Specify

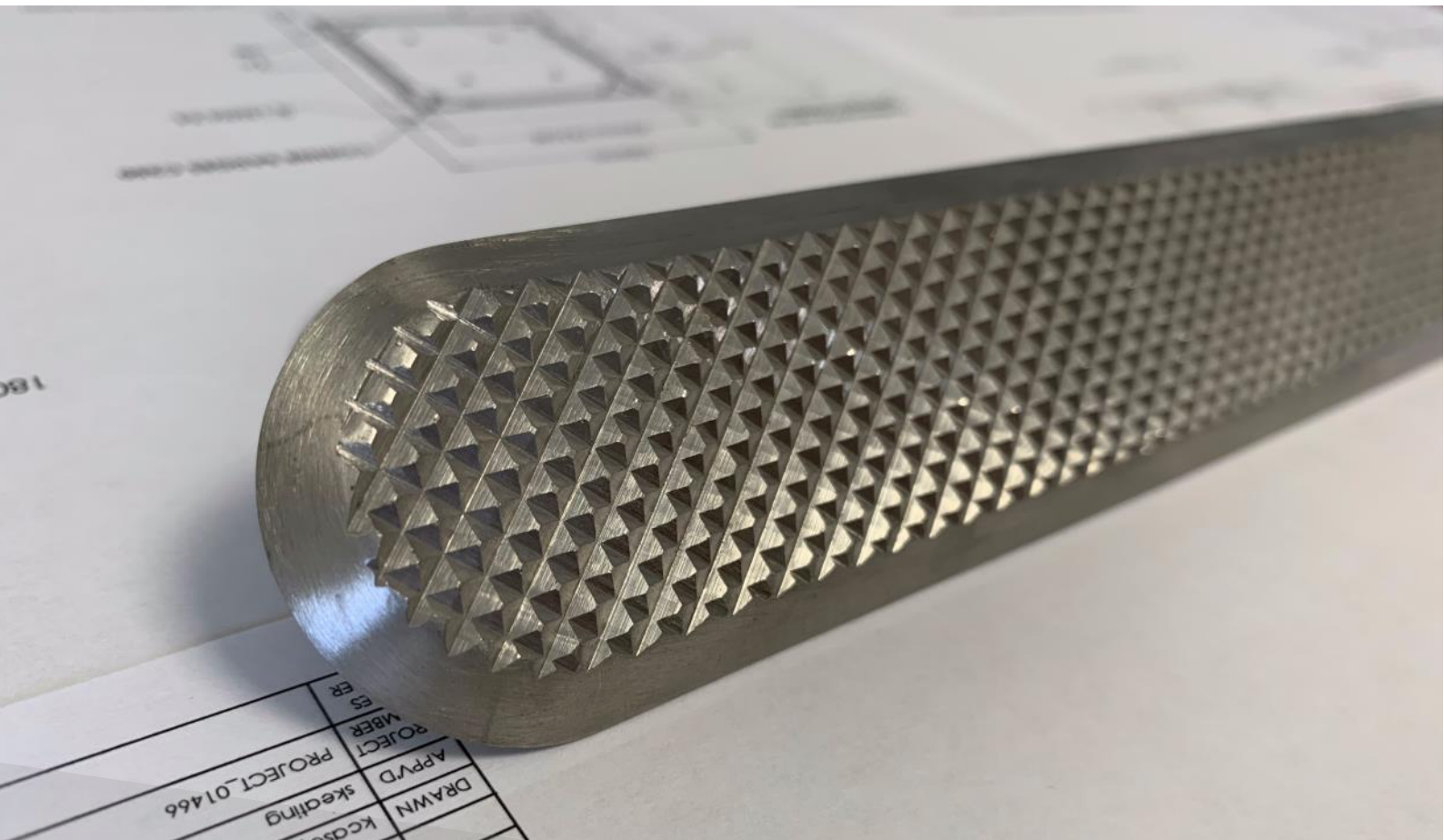
Kent Diamond Tactile Warning Strip KDTWS-35/420; 420mm length, 35mm wide; 5mm high, diamond ridge finish, with 3nr 6mm dia x 14mm stud for root fixing below GL, Grade 316 Stainless Steel

### Description

Kent Diamond Tactile Warning Strips Grade 316 Stainless Steel; Polished finish. The Kent Diamond Tactile Warning Strips provide an underfoot warning to identify hazards and dangerous areas where is a change in levels or where there is an unprotected opening such as open stairwells and platforms. The stainless steel material is ideal for high-traffic pedestrian areas. The slip resistant which is certified by UKAS (2021) design ensures the strip do not themselves become a hazard in wet or cold conditions. The stainless steel material is ideal for high-traffic pedestrian areas.

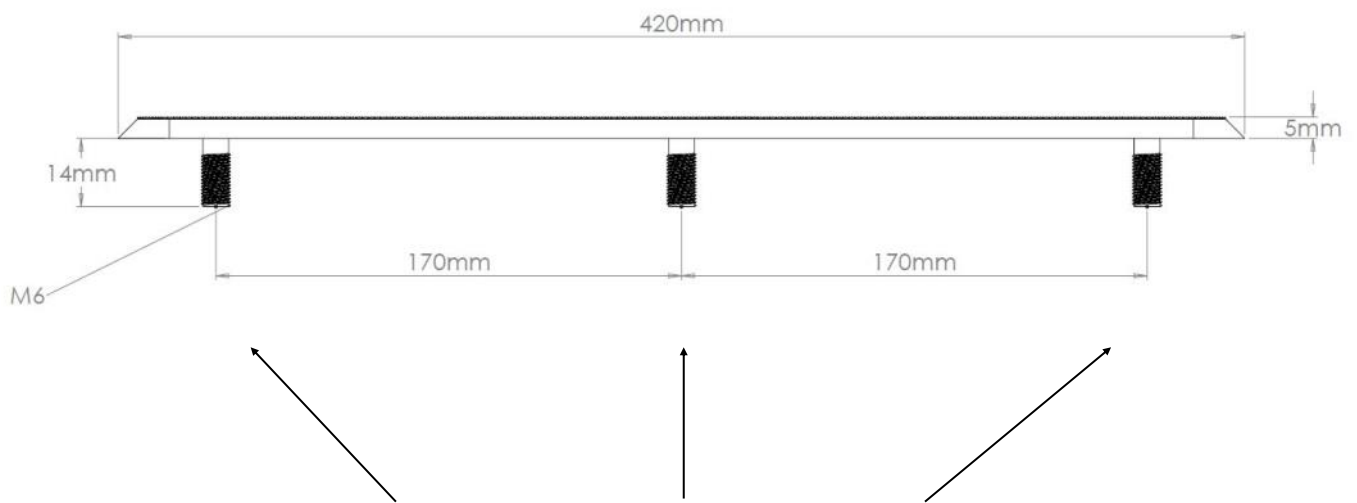
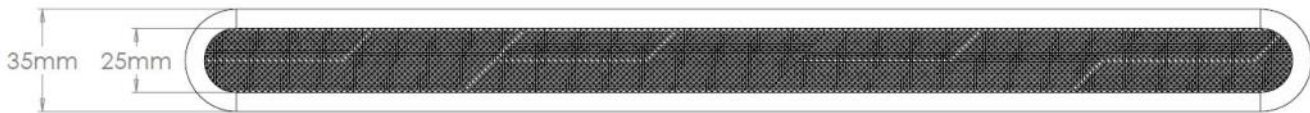
### Features:

- Underfoot warning to identify hazards and dangerous areas
- Grade 316 Stainless Steel
- Easy installation
- Diamond ridge finish
- **UKAS** certified Slip resistant (2021) - *available on request*



**Kent Diamond Tactile Warning Strip - KDTWS-35/420**

Product Code	Length	Width	Height above GL
KDTWS-35/420	420mm	35mm	5mm



**Fixing method :**

There are three 14mm high x 6mm wide Bolts which are chemically cemented into the ground.  
The fixing points are spaced at 170mm centres.

**Slip Resistance Values:**

	Dry (Horizontal)	Dry (Vertical)	Dry (Diagonal)	Wet (Horizontal)	Wet (Vertical)	Wet (Diagonal)
Mean Value:	68	92	70	50	60	55

**Note:** The UK Slip Resistance Group recommends the following guidelines, PTV 0-24 High Slip Potential, PTV 25-35 Moderate Slip Potential, PTV 36+ Low Slip Potential. *Testing Report available on request*



## Kent Diamond Tactile Warning Strip - KDTWS-35/420

### Stainless Steel Maintenance

Clean the stainless steel components using warm water with a mild detergent with a non abrasive cloth or sponge. Heavier stains may require the use of a nylon scouring pad or a stainless steel cleaner. To remove paint or graffiti (or light concrete splashes) use a cloth and alkaline or solvent paint strippers according to type of paint. For Satin Finish Stainless try to follow the direction of the grain when cleaning vigorously or polishing. For Bead Blasted Finish use a circular motion. Rust spots or 'tea stains' can occur on the surface of the material, these are normally caused by contamination from ordinary mild steel, particularly in areas where construction work has been undertaken. Where contamination of the stainless has occurred from ordinary mild steel coming into contact with the stainless, use Rust Remover 410. In cases where the surface is severely stained as a result of severe environmental conditions or scratched due to misuse, it may still be possible to restore the original finish using chemicals such as Oxalic Acid solution. There are many stainless steel polishes available to enhance the surface finish. We recommend Mister Stainless Ltd. as a provider for stainless steel cleaning products



## Kent Diamond Tactile Warning Strip - KDTWS-35/420

### Regulations & Guidelines:

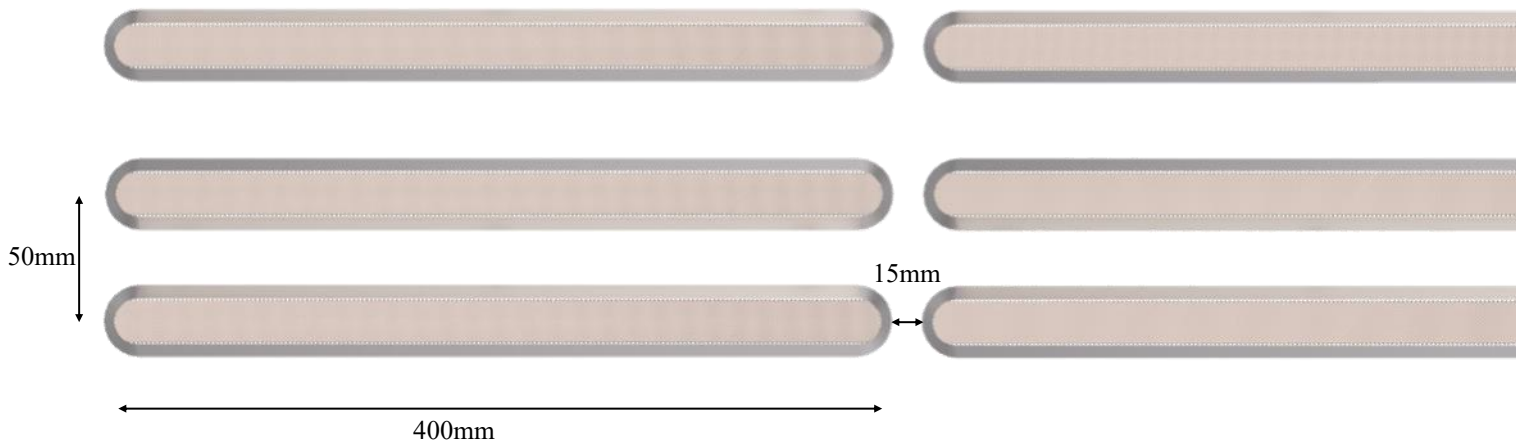
In DDA regulations it specifies that Strips are to be placed at 50mm centres running transversely across the direction of pedestrian travel.

The bars are 5mm high, 35mm wide and spaced 50mm from the centre of one bar to the centre of the next bar. (As Shown in the Diagram below)

Our standard Kent Diamond Tactile Warning Stud is 420 mm x 35mm. This means we must leave a 15 mm gap from end to end of each Strip.

For more information on the regulations on this Follow the link below:

[https://www.gov.uk/government/uploads/system/uploads/attachment\\_data/file/289245/tactile-paving-](https://www.gov.uk/government/uploads/system/uploads/attachment_data/file/289245/tactile-paving-)



Typical array of Tactile Warning Strips



## Testimonials



*“ The In-house engineering completed by Kent Stainless and the Knowledge and advice given to finalise the design was outstanding ”*

- Parsons



*“ The client and the main contractor both were delighted with the quality of the work supplied by Kent Stainless ”*

- Skanska



*“ Because of the engineering know-how you provided and flexibility in design, we will certainly return to Kents for further work ”*

- Wexford County Council

**Kent Stainless Ltd**

Ardcavan, Wexford, Ireland

**TEL NO:** +353 53 9143216  
**UK FREEPHONE:** 0800 376 8377  
**FAX:** +353 53 9141802  
**WEB:** [www.kentstainless.com](http://www.kentstainless.com)  
**EMAIL:** [info@kentstainless.com](mailto:info@kentstainless.com)

