



TACTILE WARNING STUD



Kent Tactile Warning Stud Stud KTWS/25/5/FDG

Specify:

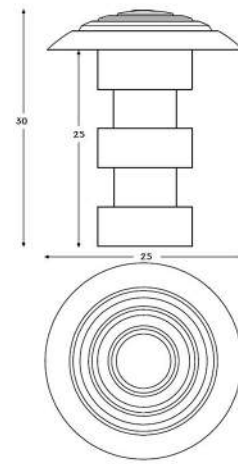
Kent Tactile Warning Studs (Flat Top Domed & Grooved) KTWS/25/5/FDG(2); 2 rings; Grade 316L Stainless Steel; Satin Finish 320 Grit Polished.

The Kent Tactile Warning Studs provide an underfoot warning to identify hazards and dangerous areas where there is a change in levels or where there is an unprotected opening such as open stairwells and platforms.

The stainless steel material is ideal for high-traffic pedestrian areas. The slip resistant design ensures the studs do not themselves become a hazard in wet or cold conditions.

Features

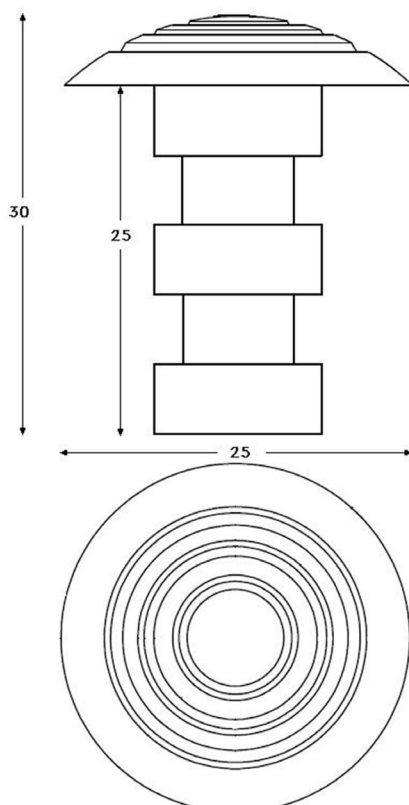
- Underfoot warning to identify hazards and dangerous areas
- Grade 316L Stainless Steel
- Easy installation
- Can be incorporated onto the full range of Kent Stainless seats and benches.
- Slip resistant design





Product Dimentions:

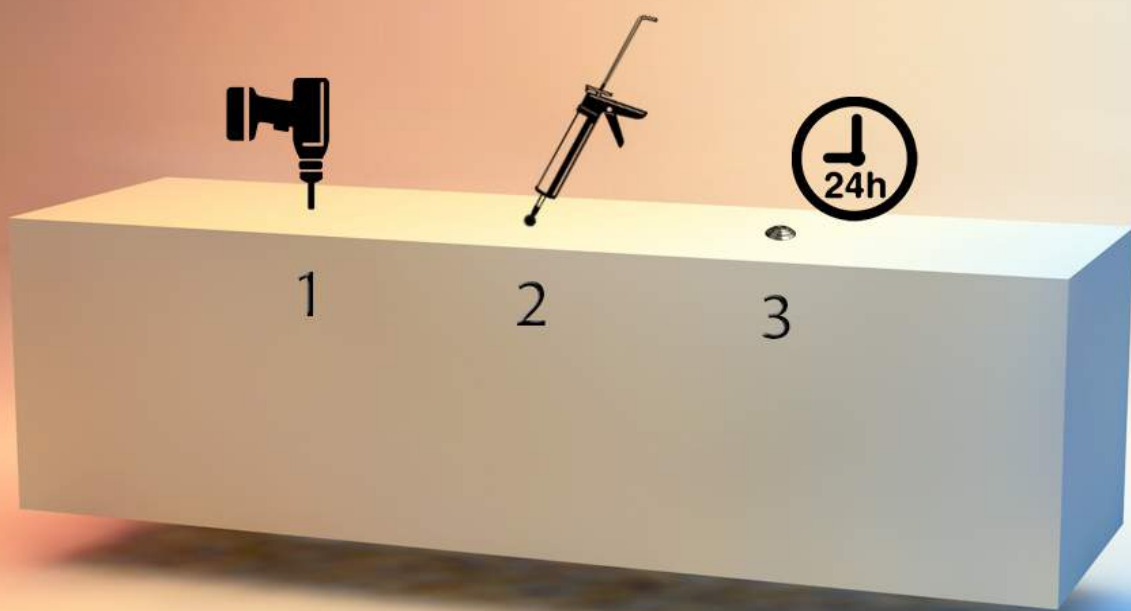
Reference	Height	Diameter	Rings
Kent Tactile Warning Stud KTWS/25/5/FDG(2)	30mm	25mm	2
Kent Tactile Warning Stud KTWS/25/5/FDG(3)	30mm	25mm	3



Kent Tactile Warning Stud KTWS/25/5/FDG

Installation of Litter bins:

1. Drill a 15mm diameter hole by 30mm deep.
2. Fill with chemical mortar (Kent Stainless recommend Mungo MIT-SE Plus)
3. Insert the anti skate board stud and leave to set for 24 hours.



Kent Tactile Warning Stud Stud KTWS/25/5/FDG

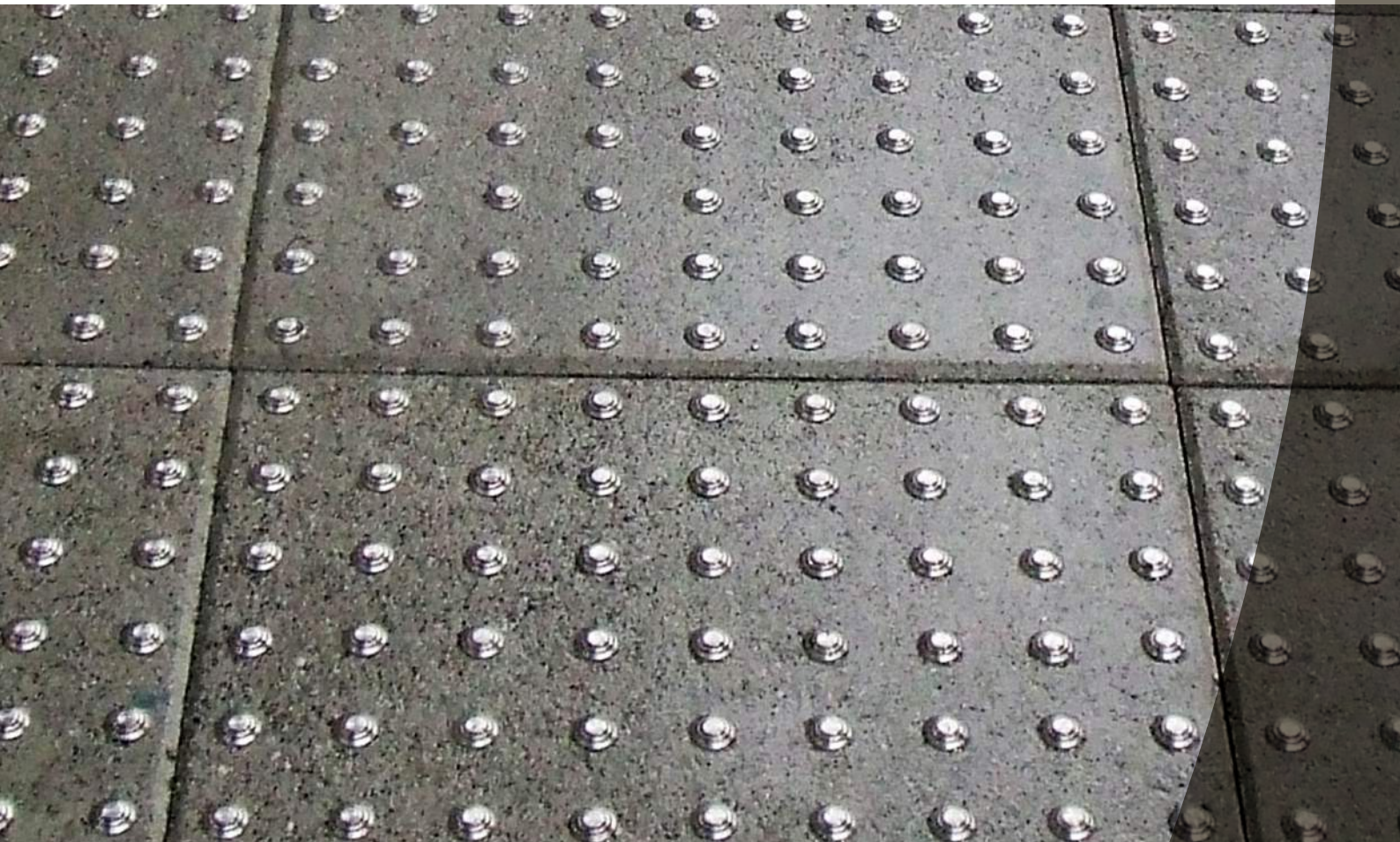
Product Options:

Choose from
2 rings
or 3 rings

Specify:

Kent Tactile Warning Studs (Flat Top Domed & Grooved) KTWS/25/5/FDG(2);
2 rings; Grade 316L Stainless Steel; Satin Finish 320 Grit Polished.

Grade
316L
304L
303



Kent Tactile Warning Stud KTWS/25/5/FDG

Overview

The Kent tactile warning is constructed from 316L grade stainless steel. The external finish of the stud is Satin finish in a circular pattern. Despite the material's corrosion resistant properties some care is required to maintain a bright appearance. The conditions that the studs are in (Inland or Coastal area), will greatly increase its need for cleaning and care.

Maintenance

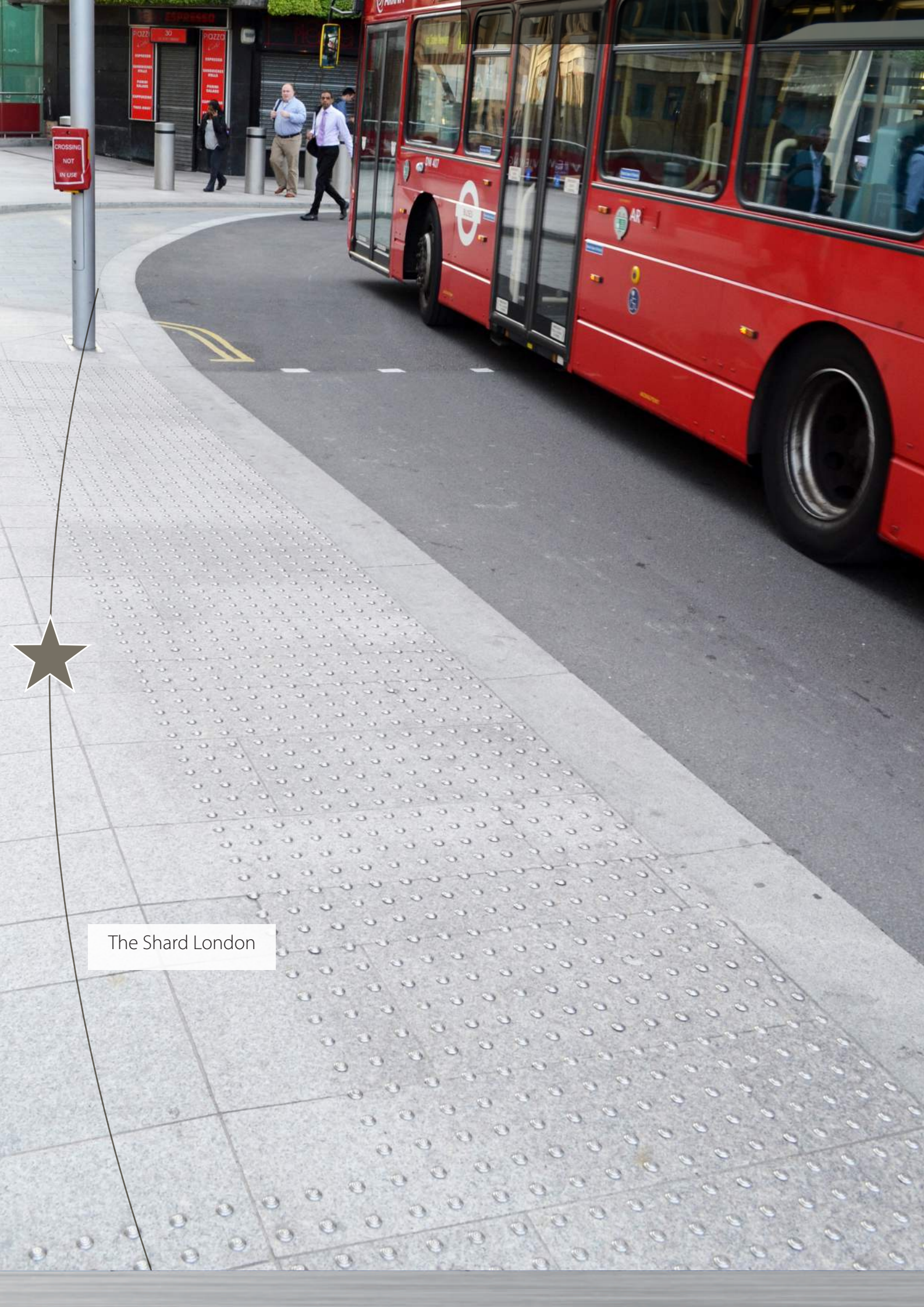
Stainless Steel:

Clean the stainless steel components using warm water with a mild detergent with a non-abrasive cloth or sponge. Heavier stains may require the use of a nylon-scouring pad or a stainless steel cleaner. To remove paint or graffiti use a cloth and Alkaline or solvent paint strippers according to type of paint. In the case of a bead blasted finish, where abrasive cleaning is required, always use a random circular rubbing action with a cloth. In the case of brushed finishes the surface consists of uniform fine 'scratches' running in one direction so where abrasive cleaning is required always use a straight back and forward rubbing action in the direction of the grain using soap and warm water. Rust spots or 'tea stains' can occur on the surface of the material, these are normally caused by contamination from ordinary mild steel, particularly in areas where construction work has been undertaken. Such stains can be removed using Rust Remover 410. In cases where the surface is severely stained because of severe environmental conditions or scratched due to misuse, it may still be possible to restore the original finish using chemicals such as Oxalic Acid solution. There are many stainless steel polishes available to enhance the surface finish. We recommend Mister Stainless Ltd. as a provider for stainless steel cleaning products.

Kent Tactile Warning Stud KTWS/25/5/FDG

Can be incorporated onto the full range of Kent
Stainless seats and benches.





The Shard London

**Kent Tactile Warning
Stud KTWS/25/5/FDG**

3 Ring Stud

